



US00D441969S

(12) **United States Design Patent**
Ranspach

(10) **Patent No.:** **US D441,969 S**

(45) **Date of Patent:** **** May 15, 2001**

(54) **DRAWING HORSE AND DRAFTING TABLE**

2,696,415 12/1954 Himelson .
2,901,124 8/1959 Gingher et al .
4,921,302 5/1990 Godwin 397/170

(76) Inventor: **Ernest J. Ranspach**, 434 NE. 8th St.,
Boca Raton, FL (US) 33432

(**) Term: **14 Years**

(21) Appl. No.: **29/133,557**

(22) Filed: **Dec. 1, 2000**

OTHER PUBLICATIONS

Artroom Equipment Catalog 1997 illustration of drawing horse, Copyright 1997, James Howard Co. (2pgs.).
Sax Catalog circa 1998 Art Horse p. 271 (1pg.).
High Smith Catalog circa 1998 Wilson Multimedia Workstation p. 11 (1pg.).
Co-pending utility patent application No. 09/441,816 filed Nov. 17, 1999, is pending.

Related U.S. Application Data

(62) Division of application No. 29/115,117, filed on Dec. 8, 1999, now Pat. No. Des. 435,975.

(51) **LOC (7) Cl.** **06-01**

(52) **U.S. Cl.** **D6/338**

(58) **Field of Search** D6/300, 335, 336,
D6/338, 340, 349, 367, 420; 108/6, 29,
157.1, 157.11, 163, 177; 297/135, 156,
170, 172, 173, 174, 124; D34/14, 21, 22

Primary Examiner—Doris V. Coles

Assistant Examiner—Mimosa De

(74) *Attorney, Agent, or Firm*—Robert C. Kain, Jr.; Fleit Kain

(57) **CLAIM**

The ornamental design for the drawing horse and drafting table, as shown.

(56) **References Cited**

U.S. PATENT DOCUMENTS

D. 61,355	8/1922	Anderson .	
D. 140,281	2/1945	Weller et al. .	
D. 145,659	10/1946	Covington .	
D. 175,016	6/1955	Cote	D15/8
D. 182,061	2/1958	Cote	D15/8
D. 183,407	8/1958	Schaefer	D15/8
D. 241,324	9/1976	Wright	D12/29
D. 260,203	8/1981	Arnold	D6/17
D. 275,913	10/1984	Mulligan	D6/301
D. 310,603	9/1990	Keller	D6/349
D. 335,566	5/1993	Spriggs et al.	D34/14
D. 427,790	7/2000	Gargan	D6/338
647,527	4/1900	Schleuning .	
1,582,346	4/1926	Oster .	
1,951,960	3/1934	Anduaga .	
2,503,785	11/1950	Rocca .	
2,515,474	7/1950	Ryder .	

DESCRIPTION

FIG. 1 is a right side perspective view of the drawing horse and drafting table.

FIG. 2 is a front elevational view of the drawing horse and drafting table shown in FIG. 1;

FIG. 3 is a right side view of the drawing horse and drafting table shown in FIG. 1;

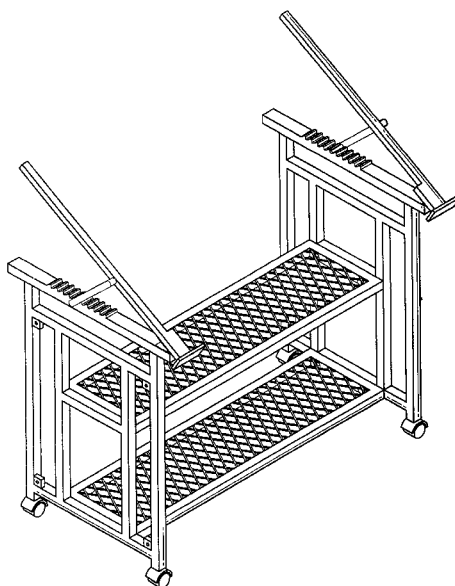
FIG. 4 is a left side view of the drawing horse and drafting table shown in FIG. 1;

FIG. 5 is a rear elevational view of the drawing horse and drafting table shown in FIG. 1;

FIG. 6 is a top view of the drawing horse and drafting table shown in FIG. 1; and,

FIG. 7 is a bottom view of the drawing horse and drafting table shown in FIG. 1.

1 Claim, 7 Drawing Sheets



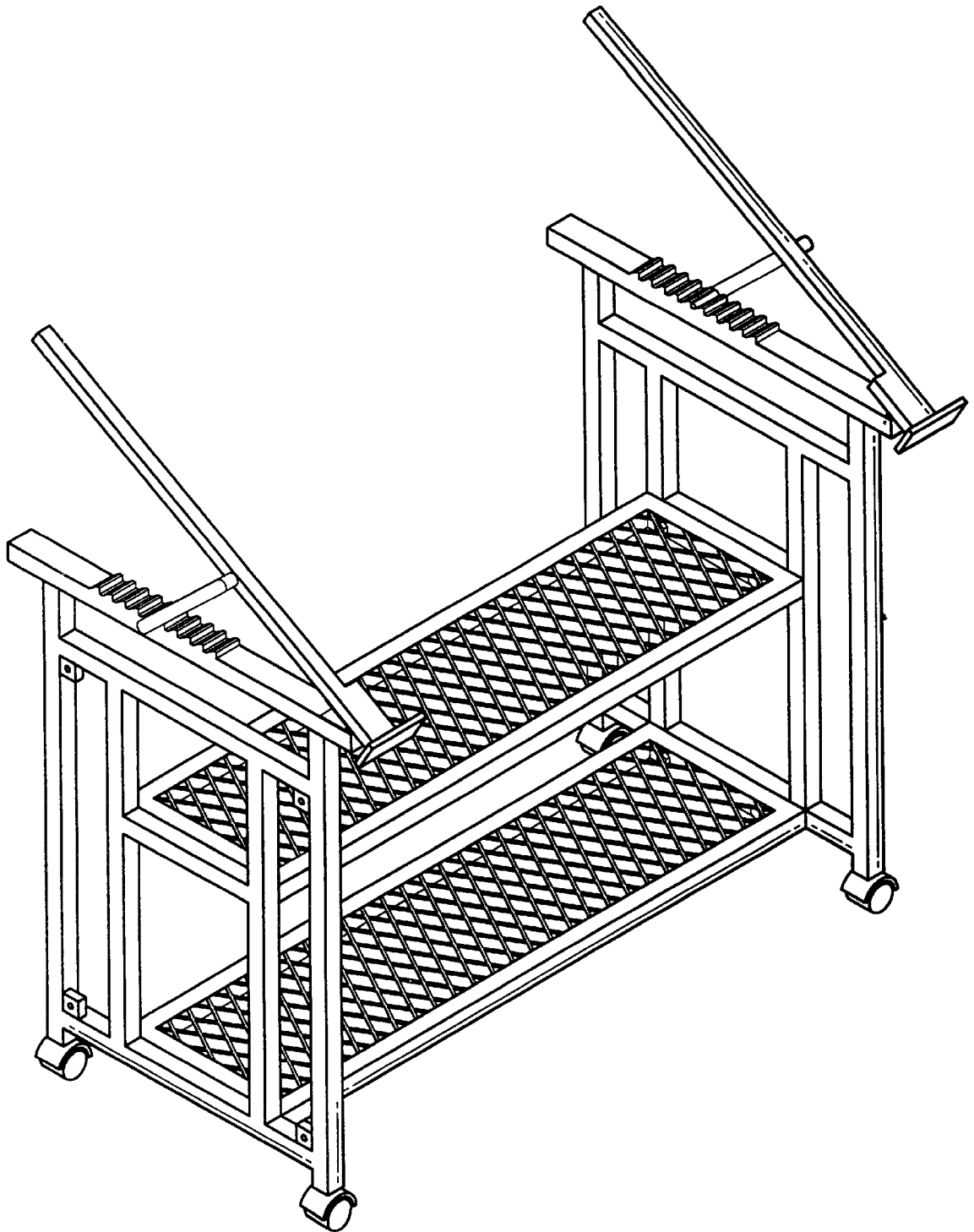


FIG. 1

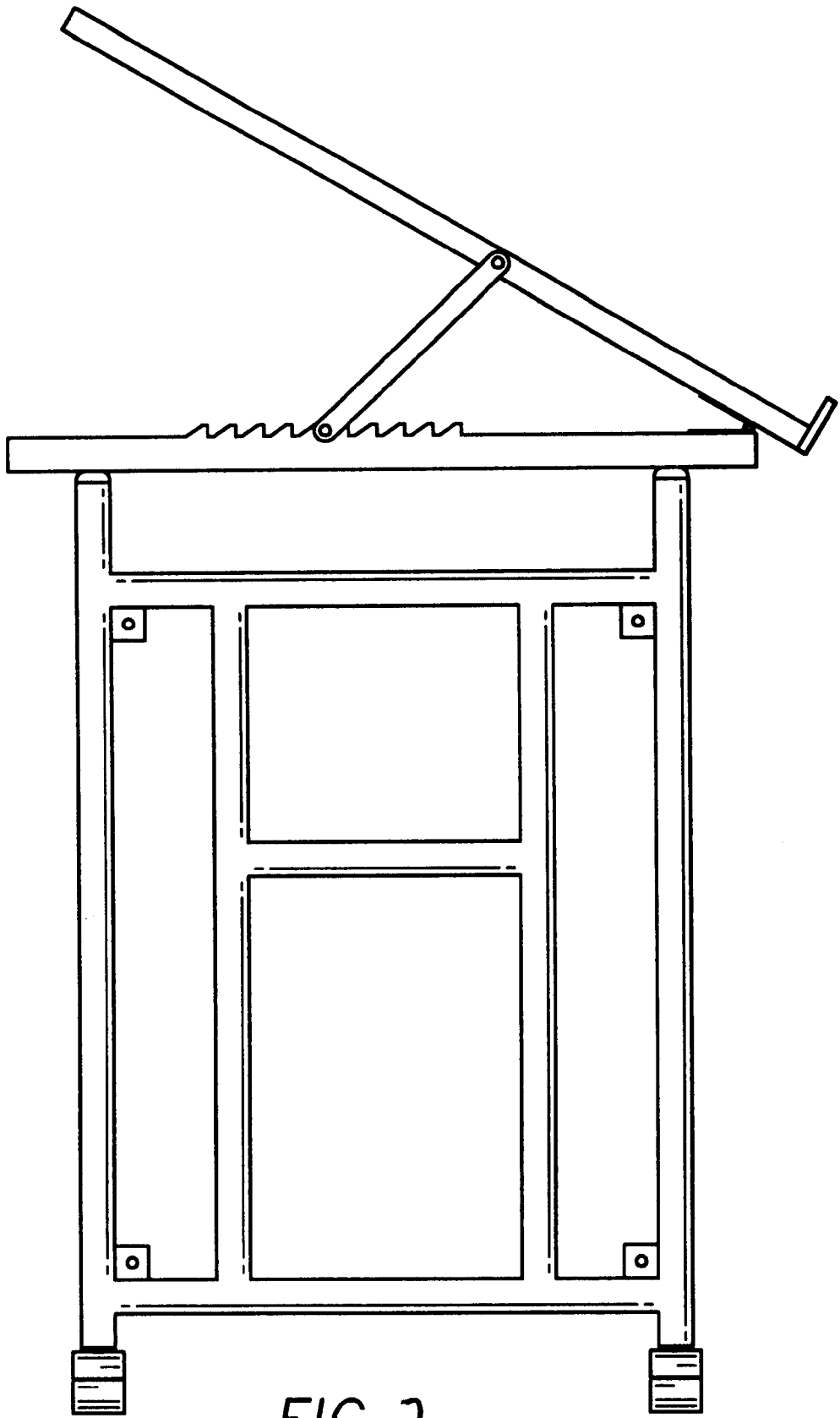


FIG. 2

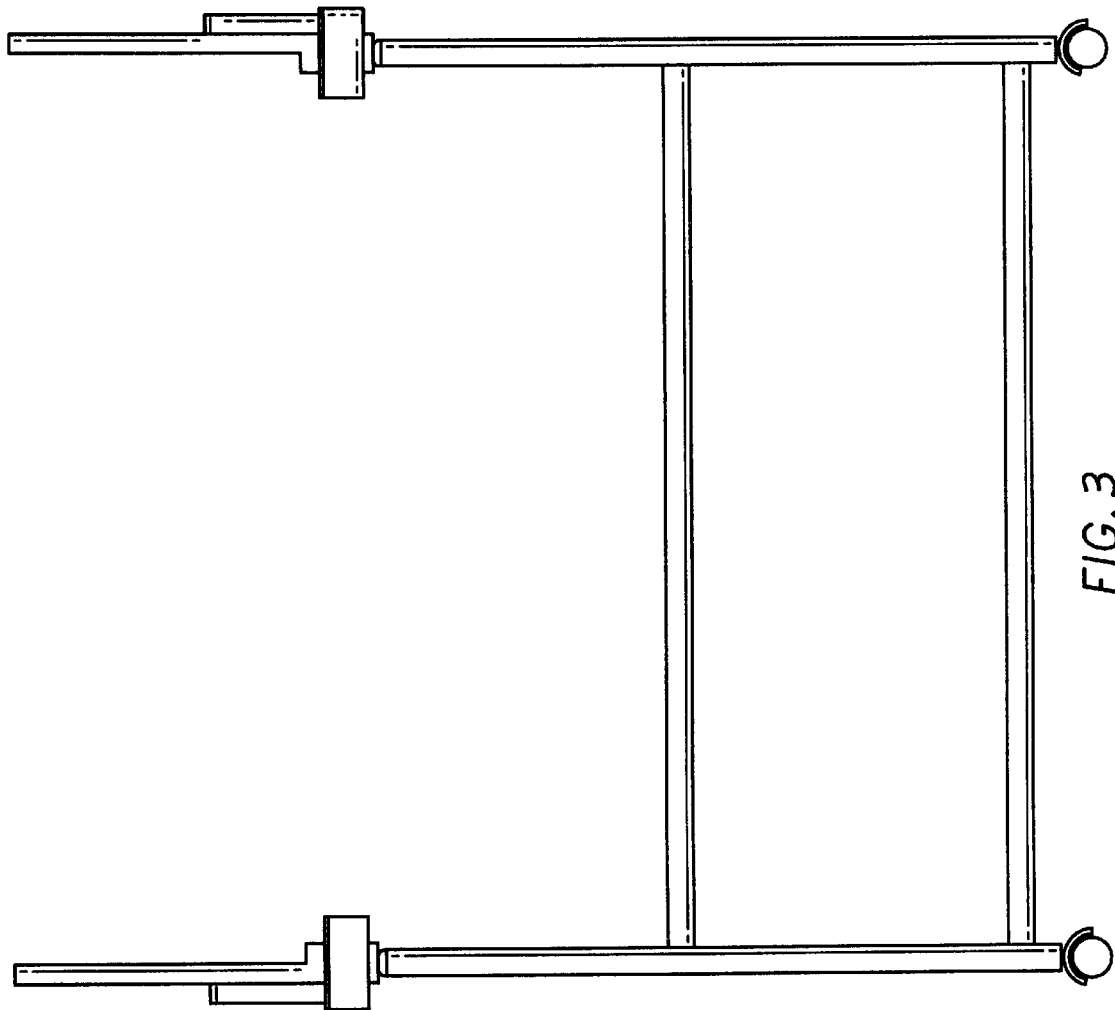


FIG. 3

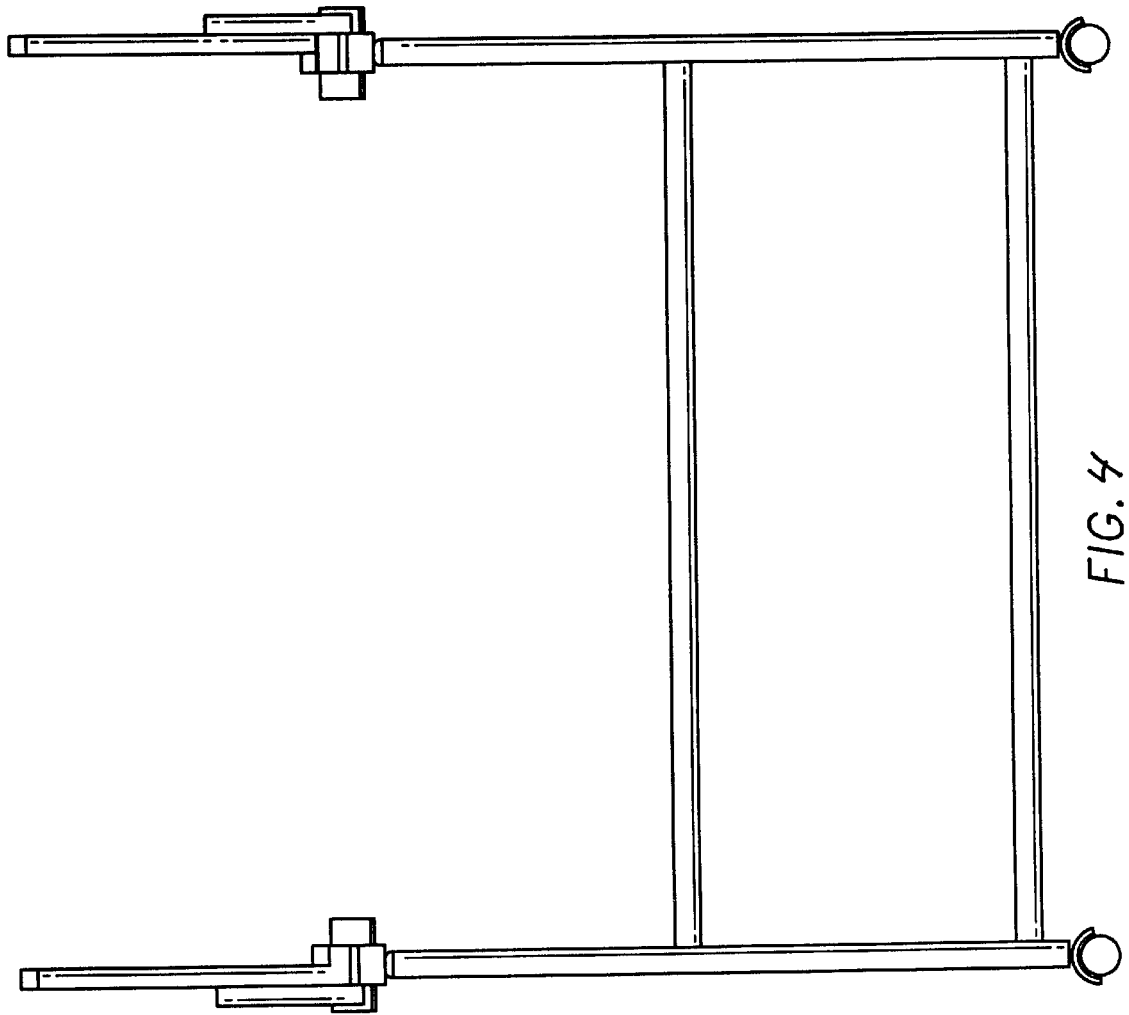


FIG. 4

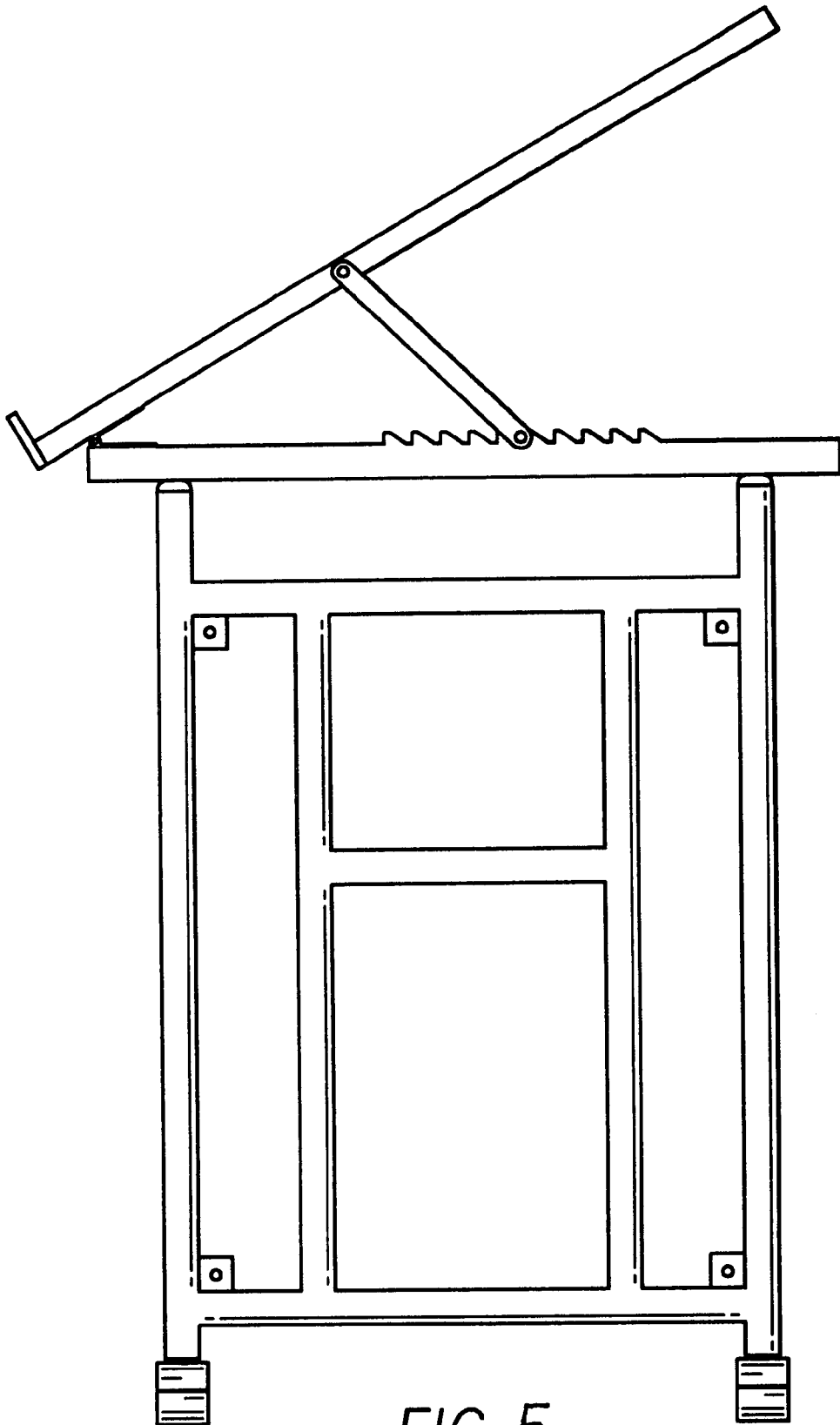


FIG. 5

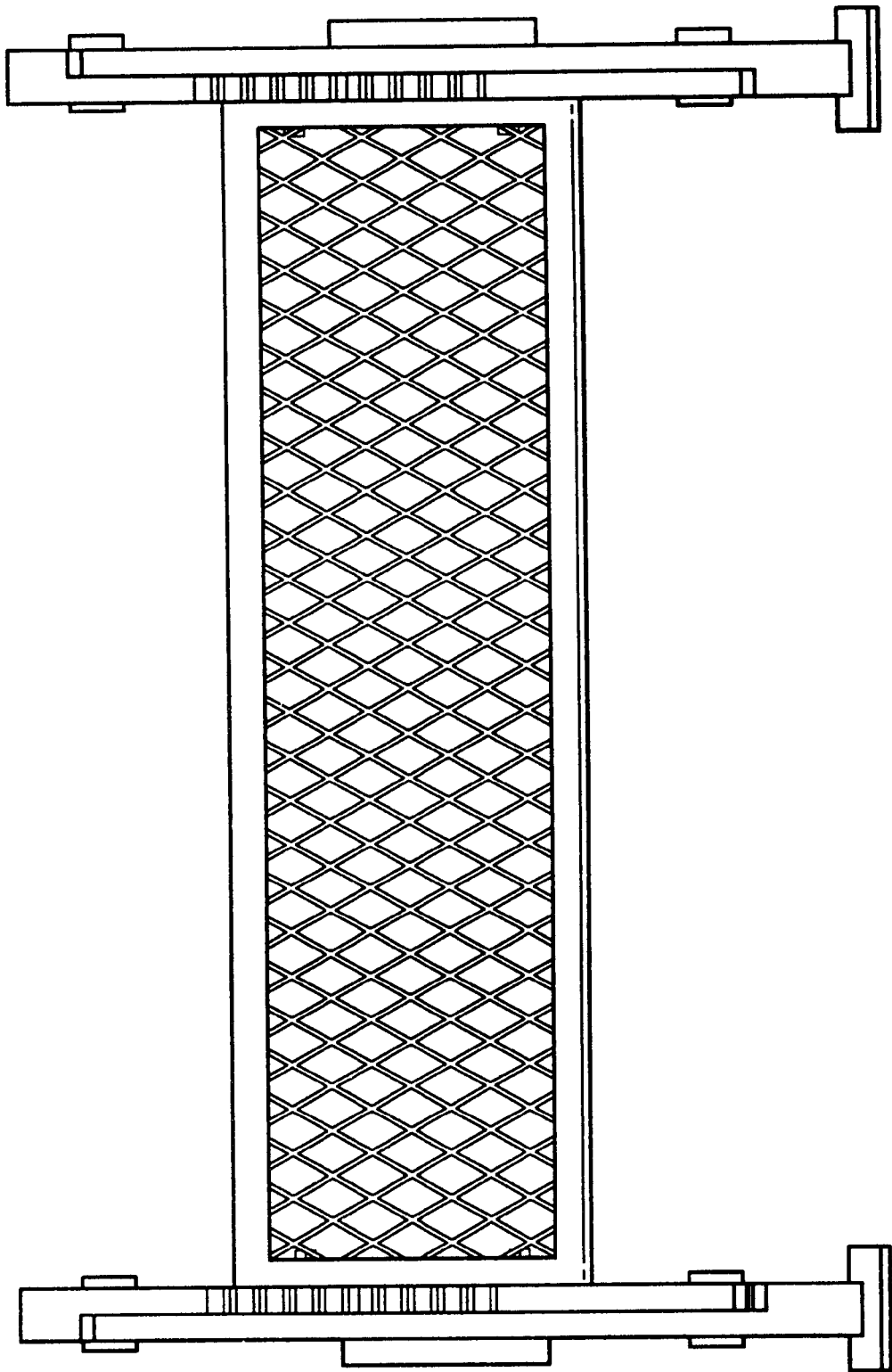


FIG. 6

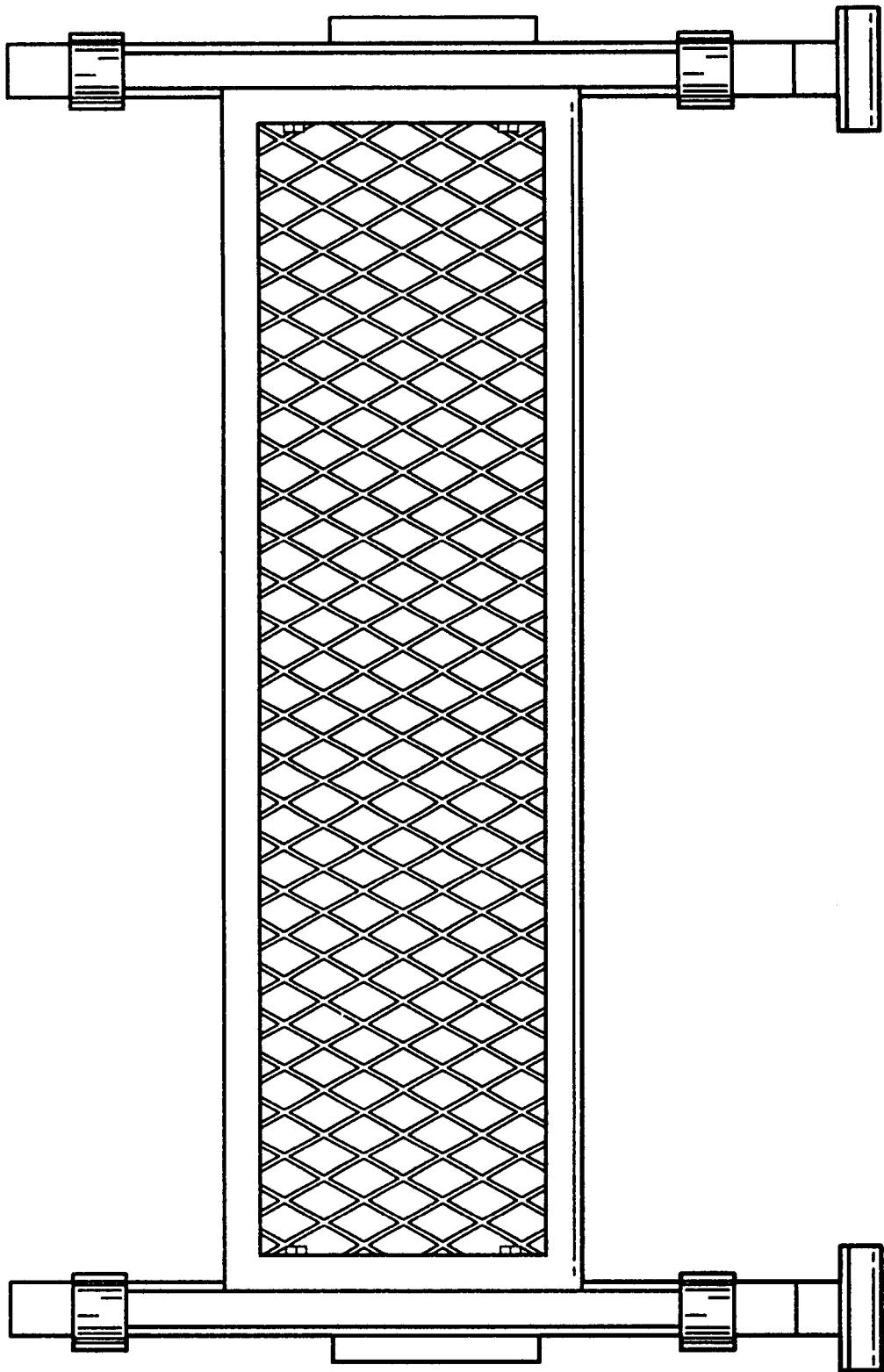


FIG. 7