



US00D371509S

United States Patent [19] DiStacio

[11] Patent Number: **Des. 371,509**
[45] Date of Patent: ****Jul. 9, 1996**

[54] **THREADED NUT**
[75] Inventor: **Robert J. DiStacio**, Valhalla, N.Y.
[73] Assignee: **PermaThread Technologies, Inc.**,
Massapequa, N.Y.
[**] Term: **14 Years**
[21] Appl. No.: **28,122**
[22] Filed: **Sep. 7, 1994**
[52] U.S. Cl. **D8/397**
[58] Field of Search **D8/397; 411/7,**
411/114, 115, 195, 196, 299, 322, 329,
433, 427, 937.1

2,484,645	10/1949	Baumle .	
2,679,879	6/1954	Engstrom	D8/397 X
2,834,390	5/1958	Stevens .	
3,176,746	4/1965	Walton .	
3,517,717	6/1970	Orlomoski .	
3,729,757	5/1973	Wright .	
3,982,575	9/1976	Ollis, jr. .	
4,024,899	5/1977	Stewart .	
4,168,731	9/1979	Taber .	
4,790,703	12/1988	Wing .	
4,900,208	2/1990	Kaiser .	
4,907,930	3/1990	Peterson	411/427 X
5,460,468	10/1995	DiStacio	411/329

Primary Examiner—Ted Shooman
Assistant Examiner—Paula Mortimer
Attorney, Agent, or Firm—Robert C. Kain, Jr.

- [56] **References Cited**
U.S. PATENT DOCUMENTS
- | | | |
|-----------|---------|-----------------|
| 307,722 | 11/1884 | Klemroth . |
| 591,062 | 10/1897 | Smith . |
| 1,088,892 | 3/1914 | Foreman . |
| 1,089,159 | 3/1914 | Santarcangelo . |
| 1,136,310 | 4/1915 | Burnett . |
| 1,221,194 | 4/1917 | Lang . |
| 1,226,143 | 5/1917 | Stubblefield . |
| 1,245,362 | 11/1917 | Lynch . |
| 1,465,148 | 8/1923 | Rosenberg . |
| 2,232,336 | 2/1941 | Meersteiner . |
| 2,301,181 | 11/1942 | Ilsemann . |

[57] **CLAIM**
The ornamental design for threaded nut, as shown and described.

DESCRIPTION

FIG. 1 is a top view of the threaded nut that is the subject of the present invention;
FIG. 2 is a bottom view of the nut seen in FIG. 1;
FIG. 3 is a side elevational view thereof, the opposite side is a mirror image; and,
FIG. 4 is a perspective view of the threaded nut.

1 Claim, 2 Drawing Sheets

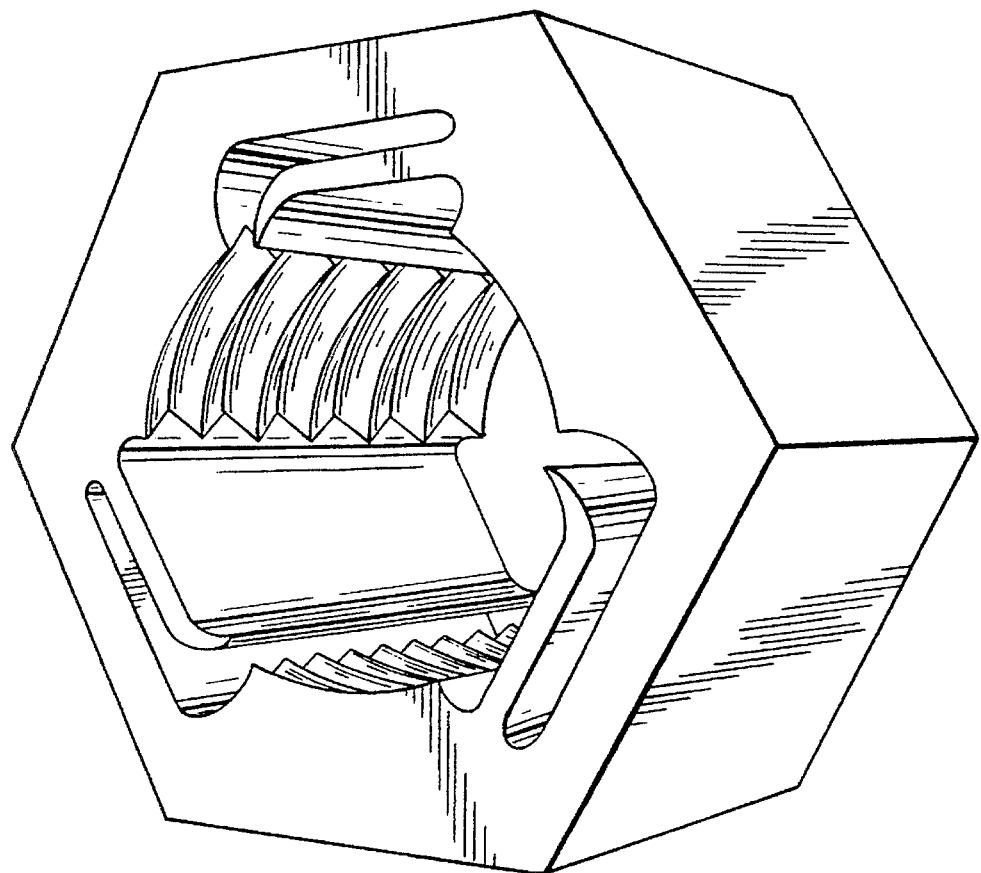


FIG. 1

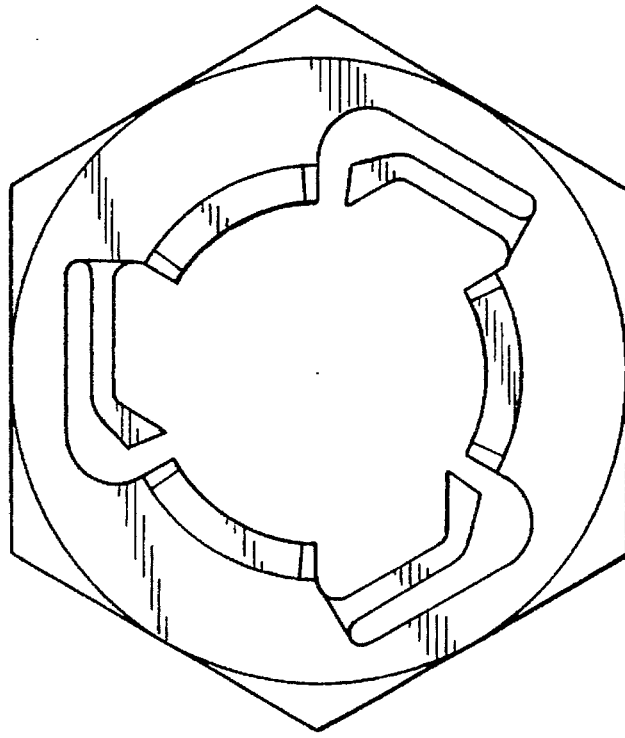


FIG. 2

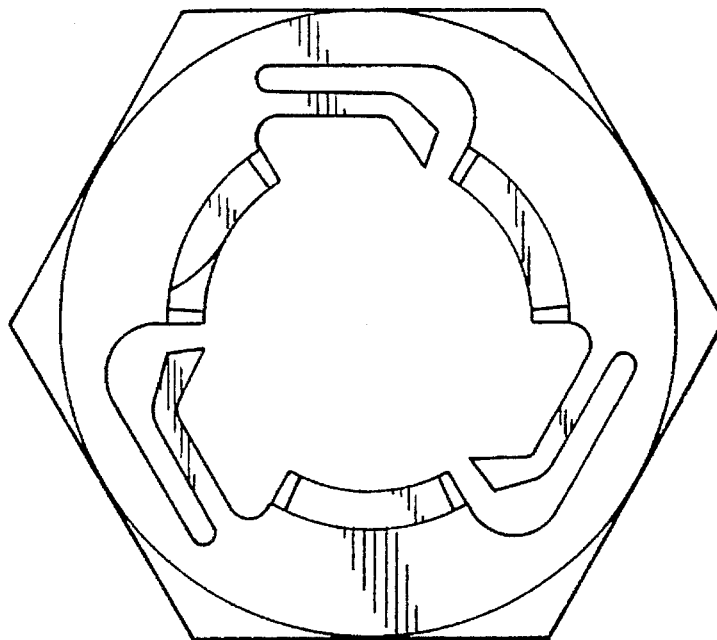


FIG. 3

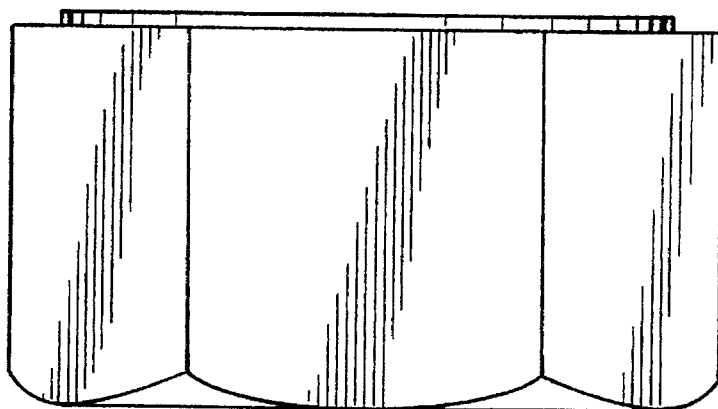


FIG. 4

